

# GISUN power

*Supplied by*

 **JOG**  
International Ltd.



## 330-350W Solar Panel

## Electrical Characteristics

Module Type	P6-72-330	P6-72-335	P6-72-340	P6-72-345	P6-72-350
	STC	STC	STC	STC	STC
Maximum Power at STC (Pmp)	330	335	340	345	350
Open Circuit Voltage (Voc)	47.0	47.2	47.5	47.6	47.9
Short Circuit Current (Isc)	9.33	9.42	9.51	9.62	9.71
Maximum Power Voltage (Vmp)	37.5	37.7	37.9	38.0	38.2
Maximum Power Current (Imp)	8.80	8.89	8.97	9.08	9.16
Module Efficiency at STC( $\eta$ m)	17.0	17.3	17.5	17.7	18.0
Power Tolerance	(0, +4.99)				
Maximum System Voltage	1000 VDC				
Maximum Series Fuse Rating	20A				

STC: Irradiance 1000 W/m<sup>2</sup> module temperature 25°C AM=1.5;

## Temperature Characteristics

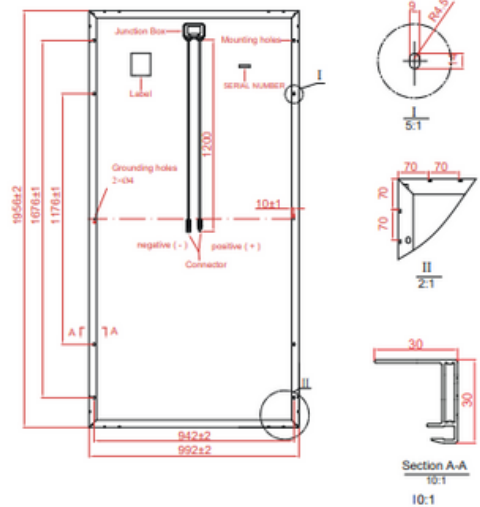
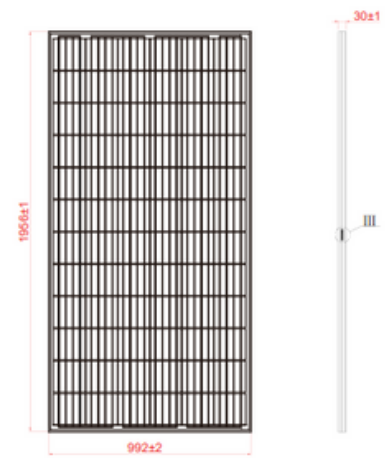
Pmax Temperature Coefficient	-0.36 %/°C
Voc Temperature Coefficient	-0.28 %/°C
Isc Temperature Coefficient	+0.05 %/°C
Operating Temperature	-40~+85 °C
Nominal Operating Cell Temperature (NOCT)	45±2°C
Fire Rating	Class C

## Mechanical Specifications

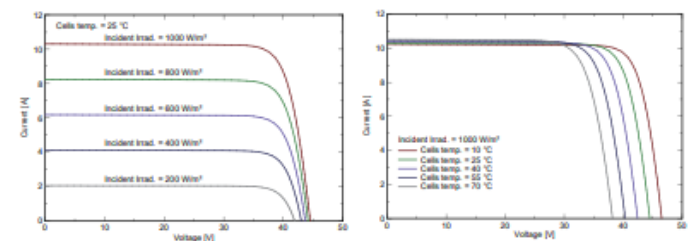
External Dimension	1956 x 992 x 30 mm
Weight	22.8kg
Solar Cells	Poly 5BB157x157mm (72pcs)
Front Glass	3.2 mm AR coating tempered glass, low iron
Frame	Anodized aluminium alloy
Junction Box	IP68,3 diodes
Output Cables	4.0 mm <sup>2</sup> ,Portrait:900mm or Customized Length
Connector	Genuine MC4 Connector /Compatible MC4 Connector
Mechanical Load	Front side 5400 Pa/ Rear side 2400 Pa

## Packing Configuration

	1956x 992 x 30 mm
Container	40'HQ
Pieces per Pallet	36+36+7
Pallets per Container	12
Pieces per Container	948



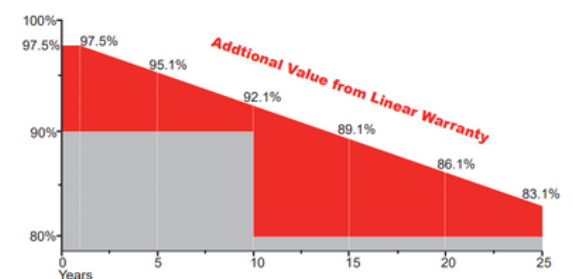
## I-V Curve



## Product Certificates



## Warranty



Guarantee on product material and workmanship



Linear power output warranty